

item number	A	max. load (kg)	weight (kg/pc)	🔥
LTS 100_S	163	150	0,34	🔥
LTS 150_S	213	120	0,4	🔥
LTS 200_S	263	110	0,46	🔥
LTS 300_S	363	75	0,59	🔥
LTS 400_S	463	50	0,75	🔥
LTS 500_S	563	-	0,82	🔥
LTS 600_S	663	-	0,94	🔥



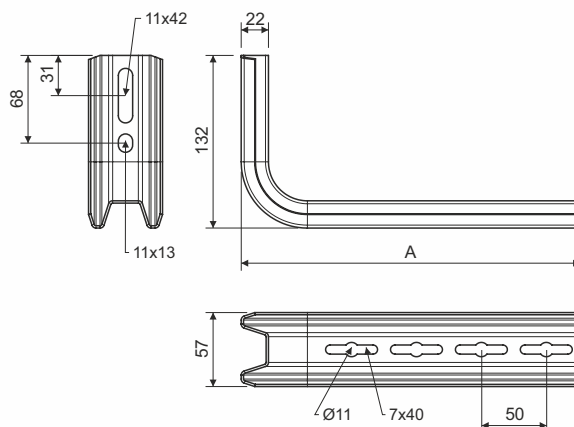
product description: This bracket is used to fasten cable trays running through cable trays or cable ladders to the wall.

The cable tray is fastened using NSM 6X10 bolts. To protect the cables, the bolt head is inside the cable tray. A bolt with a GMT surface finish is used for a tray with an F surface finish.

The clamp is fastened to the ceiling using KPO 10X95 anchors or KKZ 10 anchors, S 10X40 bolts and PD 10 washers.

To eliminate deformation during assembly the STS reinforcement is designated.

LTS 500 and LTS 600 brackets are used as ceiling profiles.



surface finish: S - Pre-Galvanized, zinc-layer 15 - 27 µm

sales amount: 1 pc

classification 🔥: ČSN 73 0895P 90-R
DIN 4102-12E 90
STN 92 0205PS 90

Fire classification depends on the specific conditions of the cable tray, detailed in the catalog Systems with maintained functionality in fire

🔥 products are approved for non-standard constructions

storage: EN 60721-3-1

use reinforcements STS



bracket LTS used as ceiling profiles

